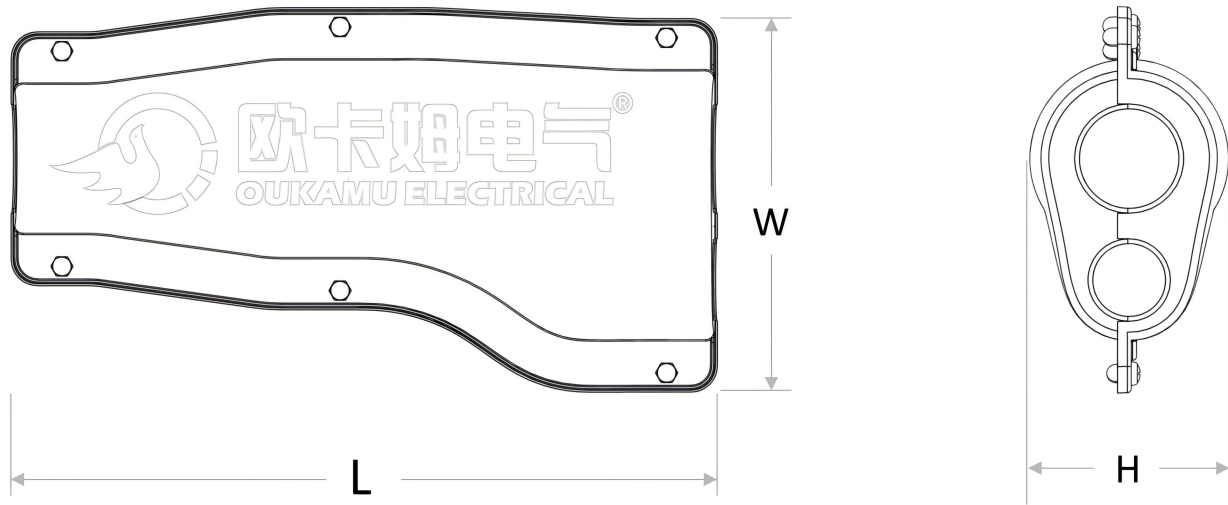




FIRE-RESISTANT BRANCH CABLE



MODEL	Specification (cross-sectional area of cable core conductors (mm ²))		Technical Parameters		
	Main Cable (2~5 Cores)	Branch Cable (2~5 Cores)	Rated Voltage(kV)	Rated Current(A)	Size L*W*H(mm)
				Copper Core	
FH-JFZ-16/10	4~16	1.5~10	0.6/1	72	210*140*65
FH-JFZ-35/16	10~35	2.5~16	0.6/1	95	300*160*80
FH-JFZ-70/35	25~70	2.5~35	0.6/1	150	415*170*85
FH-JFZ-50/35	16~50	2.5~35	0.6/1	150	415*190*105

NH-JFZ-16/10	4~16	1.5~10	0.6/1	72	220*110*65
NH-JFZ-35/16	10~35	2.5~16	0.6/1	95	300*125*85
NH-JFZ-70/35	25~70	2.5~35	0.6/1	150	360*135*90
NH-JFZ-50/35	16~50	2.5~35	0.6/1	150	415*185*100



TECHNICAL FEATURES

1. Integrated, small size, flexible installation location;
2. Insulating, flame retardant, fireproof, waterproof, and widely used;
3. Simple construction, easy maintenance, and reusable;
4. Standard products, no customization required;
5. Advanced technology, highlighting the quality of building electrical installations;
6. The main cable does not need to be cut or reserved.